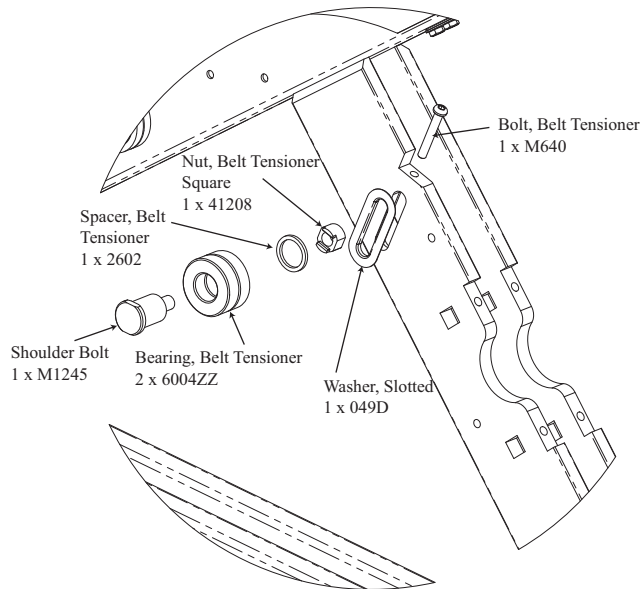


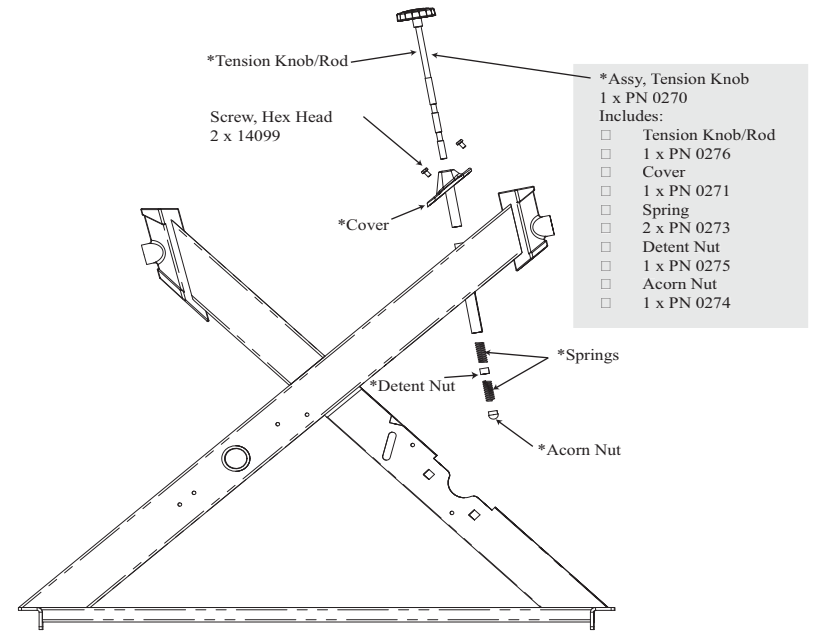
\*Assy, bottom Bracket  
 1 x BB396  
 Includes:  
 Right Bearing Cup w/ Bearings  
 Left Bearing Cup w/ Bearings  
 Lock Ring

**LeMond® RevMaster®**  
**Final Assembly**  
 01-05-2005



### Belt Tension

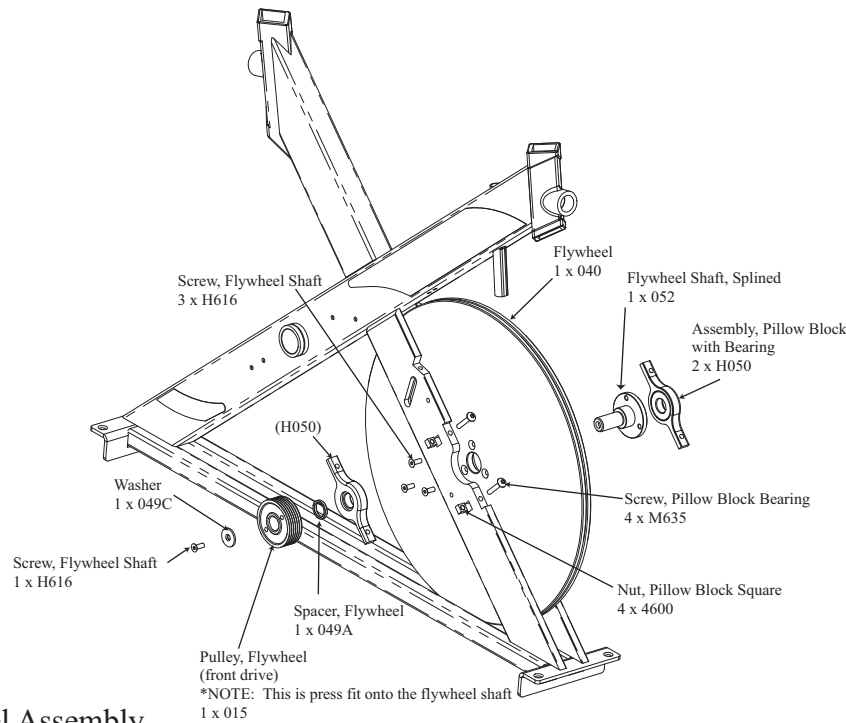
12-10-2004



- \*Assy, Tension Knob  
1 x PN 0270  
Includes:  
 Tension Knob/Rod  
 1 x PN 0276  
 Cover  
 1 x PN 0271  
 Spring  
 2 x PN 0273  
 Detent Nut  
 1 x PN 0275  
 Acorn Nut  
 1 x PN 0274

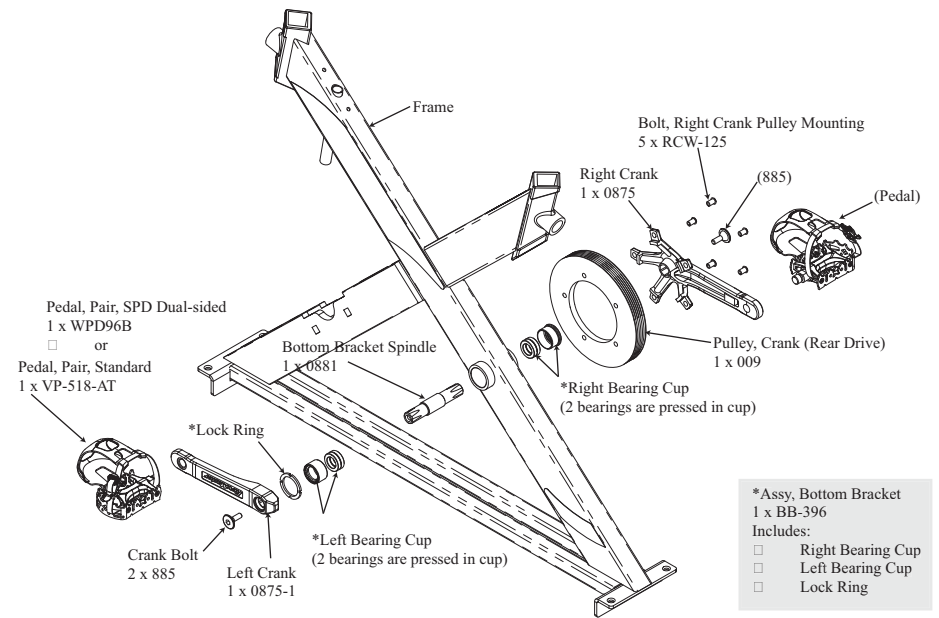
### Tension Knob Assembly

11-1-2004



### Flywheel Assembly

12-10-2004



- \*Assy, Bottom Bracket  
1 x BB-396  
Includes:  
 Right Bearing Cup  
 Left Bearing Cup  
 Lock Ring

### Crank Assembly

11-1-2004

**LEMOND FITNESS INC.** 15540 WOOD-REDMOND RD NE #A-100 WOODINVILLE, WA 98072  
PARTS & SERVICE/(425)482-6773 X 107 OR 109 WWW.LEMONDFITNESS.COM FAX/(425)482-6724

**REVMASER "Classic" - PARTS LIST**

<i>Part Number</i>	<i>Item Description</i>
14067	ADAPTER, WATER BOTTLE CAGE (VERTICAL BLACK PIECE)
15708	BASE ASSY, FRONT (W/WHEELS & LEVELERS)
15714	BASE ASSY, REAR (W/ LEVELERS)
15776	BEARING, FLYWHEEL/BELT TENSIONER
15814	BELT, POLY-V
14044	BOLT, CRANK
14089	BOLT, M6X45 TRANSPORT WHEEL, SS
M855	BOLT, M8 X 55, CROSS ARM, FLT HD SKT, SS
14088	BOLT, M6X45, BELT TENSIONER, RD HD SKT
RCW-125	BOLT, RT CRANK, PULLEY MOUNTING (SOLD PER INDIVIDUAL BOLT)
14018	BOLT, SHOULDER (FOR BELT TENSIONER BEARINGS)
BB396	BOTTOM BRACKET CUPS W/BEARINGS & LOCKRING
0220	BRAKE PAD HOLDER (W/ LEATHER PAD)
13992	CADENCE PILOT METER
250215-1	CADENCE METER/LOOP HANDLEBAR KIT
15609	CLAMP, SEAT
14133	COVER, BATTERY (TRANSMITTER-PILOT)
14039	COVER, BACK
14115	COVER, BATTERY (CONSOLE-PILOT)
0271	COVER, BRAKE TENSION
15953	COVER, BELT, LEMOND
250043	COVER, SEAT (GEL)
0875-1A	CRANK, LEFT
0875A	CRANK, RIGHT
3M468A	DECAL, SET, SM & LG
059-1	DECAL, BELT (LEMOND)
059-1LF	DECAL, BELT (LIFE FITNESS)
3M468C	DECAL, LF FRAME
250	DECAL, WARNING
14053	END CAP, CROSS ARM
14050	END CAP, HANDLEBAR & SEAT POST
103	FLYWHEEL ASSY (FLYWHEEL, SHAFT, PULLEY & BEARINGS PRE-ASSEMBLED)
VLG-041	GRIPS, HANDLEBAR (EACH-NOT SOLD AS PAIR)
1030	HANDLE, ADJUSTMENT (BLACK HANDLE W/THREADED POST)
13906	HANDLEBAR, LOOP
160	HANDLEBAR (W/GRIP) (OLD BULL-HORN STYLE)
11227	HARDWARE (INSTALL BLISTER PAK)
14120	KNOB, CADENCE METER
14048	LEVELERS, BASE
14145	MAGNET, CADENCE METER
MAGROU	MAGNET, ROUND (SUPER), CADENCE METER
14146	MANUAL, OWNERS PILOT
11101	MANUAL, OWNERS REV
14055	NUT, DETENT
14091	NUT, M6, TRANSPORT WHEEL
14092	NUT, M8, CROSS ARM
0274	NUT, NYLON TENSION ROD (PLASTIC ACORN NUT)
14015	NUT, SQUARE, BELT TENSIONER
15422	NUT, SQUARE, PILLOWBLOCK
14090	NUT, WATER BOTTLE CAGE
250062	PAD, AEROPAD (CLOUD 9)
11252	PAD, LEATHER BRAKE ( W/FOAM BACKING)
16343	PEDAL, DUAL-SIDED (PAIR, W/SPD CLIP)
15952	PEDAL, STANDARD (PAIR)
15730	PILLOW BLOCK W/BEARING

14027	PLUG, FRAME (transition part to 14027)	
14026	PLUNGER, V, FRAME	
15726	POST, HANDLEBAR, STANDARD	
15724	POST, SEAT, STANDARD	
11204	POST, HANDLEBAR, X-TALL	
11203	POST, SEAT, X-TALL	
009	PULLEY, CRANK ARM	
015	PULLEY, FLYWHEEL	
14320	SCREW, BACK COVER	
14099	SCREW, HEX, BRAKE TENSION COVER	
14138	SCREW, M4X93L, HEX, PILOT CLAMP	
14081	SCREW, M5X10 FLAT HD, WATER BOTTLE CAGE	
14093	SCREW, M5X12, WATER BOTTLE CLAMP, BULL HORN BARS	
14094	SCREW, M5X15, WATER BOTTLE CLAMP, LOOP BARS	
14194	SCREW, M5X15, SKT HD CAP, WATER BOTTLE CLAMP	
14095	SCREW, M6 X 6, HEX HD, SPRING STEEL-FRAME	
14083	SCREW, M6X16 FLT HD SKT, FLYWHEEL SPLINE SHAFT	
14086	SCREW, M6X10 RD HD SKT, BRK PD HLDR/FRT CVR	
H620	SCREW, M6X20, BRAKE PAD HOLDER/SPRING STEEL	
14087	SCREW, M6X35 RD HD SKT, PILLOWBLOCK	
14042	SEAT SLIDER	
15616	SEAT (W/CLAMP)	
052	SHAFT, FLYWHEEL SPLINE	
14020	SPACER, BELT TENSION BEARING	
14058	SPACER, FLYWHEEL	
0881	SPINDLE, BOTTOM BRACKET	
058A	SPRING STEEL W/BEND, EACH (CONNECTS BRAKE PAD HOLDER TO FRAME)	
0273	SPRING, TENSION ROD	
11248	STRAP, PEDAL (EACH-NOT SOLD AS PAIR)	
0270	TENSION KNOB ASSY	
0276	TENSION ROD W/KNOB (BARE ROD-NO HARDWARE)	
HRMONTRX	TRANSMITTER, HR CHEST STRAP	
14049	WASHER, BRASS (FOR ADJUSTMENT HANDLE)	
W10801610	WASHER, FLAT M8*1.6MM	
049C	WASHER, FRONT DRIVE PULLEY	
14064	WASHER, SLOTTED (FOR SHOULDER BOLT)	
15575	WATER BOTTLE CAGE ASSY (LOOP BARS-BLACK PLASTIC CAGE & CLAMP)	
HUL-131A	WATER BOTTLE CAGE ASSY (OLD BULL-HORN BARS)	
CB-1427	WATER BOTTLE HOLDER (PLASTIC-NO CLAMP)	
H062	WHEEL, TRANSPORT, BLUE (WITH BEARING)	
	<b>TOOLS</b>	
250064	DVD, ASSEMBLY & MAINTENANCE	
250212	DVD, CYCLING PROGRAMS	
250204B	KIT, TOOL (RESIDENTIAL-NO FLYWHEEL PULLEY PULLER)	
250204A	KIT, SERVICE TOOLS (INCLUDES ALL TOOLS LISTED BELOW)	
BBT-22	TOOL, BOTTOM BRACKET	
CCP-2	TOOL, CRANK PULLER	
HCW5	TOOL, LOCKRING REMOVAL	
LIFU-33F5	TOOL, PEDAL WRENCH (15 MM)	
11225	TOOL, PULLER (FLYWHEEL PULLEY)	
250201	PAINT, TOUCH UP YELLOW	